

Since 1981
Desde 1981



Yüzüak[®]
Sprinklers & Travellers

Low Cost & High Efficiency Irrigation Systems

IRRIFORCE CATALOG
2022





Irriforce is an irrigation machine designed for Energy Efficiency. Its cost in terms of both use and investment is lower than those of its rivals. We may call Irriforces as traveling rain gun. Thanks to water turbine and steel rope in it, it irrigates your field by dragging itself.

Irriforces can be used in anywhere irrigation is required; you may conveniently use it for irrigation of any agricultural products, any sport sports grounds, lawn irrigation, meadow irrigation and range improvement. Most important factor making such small dimensions of Irriforces is that it is equipped with soft hose. Instead of hard hose of the drum irrigation machines, soft hose is used here. As at is, it only pulls its special hose equivalent to $\frac{1}{4}$ of its own weight, instead of dragging tons of pipes in weight. And thus energy efficiency maximizes. Higher weight pulled would also affect service life of your machine. And storage and handling costs are also small.

There are different types that can irrigate up to 120 m – 140 m – 200 m -300 m and 400m in length; and we have also diesel and petrol fuelled versions that can work with waste water. You may contact with us for your irrigation requirements of 500 m at one time.

Now forget about hard hose drum irrigators in gigantic dimensions. Contact with us quickly to meet with our new generation irrigators; and you also contribute to energy efficiency for the world and to budget as well.



Irriforce es una máquina de riego que está diseñada para ofrecer Eficiencia Energética. Tanto el uso y el coste de inversión es mucho más bajo que sus competidores. Podemos decir que Irriforce es una pistola de riego autopropulsada. Gracias a la turbina de agua y la cuerda de acero, la máquina realiza el riego de manera autopropulsada.

Irriforce puede utilizarse en cualquier terreno donde se requiera riego como pueden ser el riego de los productos agrícolas, todo tipo de campos de deporte, riego de césped, riego de praderas y así como mejoramiento de los pastos. Irriforce posee unas dimensiones reducidas gracias a su manguera blanda. Dispone de una manguera blanda en lugar de manguera rígida que se utiliza en las máquinas de riego con tambor. Por lo tanto, en lugar de arrastrar en el campo tubos muy pesados, lleva una manguera especial equivalente a $\frac{1}{4}$ de su propio peso solo. De esta manera, se maximiza la eficiencia energética. Dado que las cargas de mayor peso afectan a la vida útil de la máquina. Además, los costes de almacenamiento y transporte se reducen considerablemente.

Disponemos de diferentes tipos de modelos estándares con capacidades de riego de hasta 120 m – 140 m – 200 m -300 m y 400 m y así como modelos de diesel y gasolina que funcionan con aguas residuales. Para capacidades de riego de 500 por favor, póngase en contacto con nosotros.

Es hora de olvidarse de las máquinas de riego con tambores de grandes dimensiones. Para conocer las máquinas de riego de nueva generación, póngase en contacto con nosotros sin perder el tiempo. Además de ahorrar dinero, contribuirá a la eficiencia energética.

IRRIFORCE MINIX



GB Water of minimum 3,5m³/hour should be delivered through hydrant at 4 bar. It operates with water of maximum 7 m³/hour. It has Atom22 irrigation gun on it. Maximum travelling distance is 120 meters. When the irrigation gun revolves one full turn, its effective irrigation distance is maximum 150 meters. Maximum irrigation width is 40 meters. It is mostly used for irrigation of sports grounds and small farms. Furthermore, it may also be used for parks, gardens and small agricultural fields. It may be used as washing gun to remove dust and dirt off the plants in the fields of alfalfa, vegetables, sunflower and olive trees where drip irrigation is used and as support irrigation when irrigation by dipping proves to be insufficient. Minimum recommended pumping power is 5.5 HP. Hose drum winding manually is on it.

ESP Requiere la salida de un mínimo de 3,5m³/hora de agua con 4 bares a través del hidrante. Funciona con un máximo de 7 m³/hora de agua. Dispone de una pistola de riego del modelo Atom22. La distancia de desplazamiento máxima es de 120 metros. Cuando la pistola de riego realiza un giro completo, la distancia de riego máxima es de 150 m. El ancho máximo de riego es de 40 m. Ideal para emplear en campos deportivos. Además se puede utilizar en parques, jardines y terrenos agrícolas pequeños. Puede utilizarse para eliminar el polvo y la suciedad de las cosechas con riego por goteo como alfalfa, hortalizas, girasol y olivo y como riego de apoyo cuando el riego por goteo es insuficiente. La potencia mínima de bomba recomendada es de 5.5 HP. Dispone de una manguera de bobinado manual sobre el tambor.



yüzüak[®]
Sprinklers & Travellers

www.yuzuak.com

Easy way for irrigation
New Design Traveller Irrigator
IRRIFORCE

IRRIFFORCE MINIX TD1000-100 RAINFALL AND VELOCITY RELATIONS TABLE

Sprinkler Type : Yuzuak Atom22
 Hose Diameter and Length : Diameter : 25 mm (1 "); Length : 50 meters
 Traveller Length : 100 meters

Nozzle Size	Sprinkler Pressure (Bar)	Sprinkler Throw Range (m)	% 85 of Throw Diameter of Sprinkler (m)	Capacity		Irrigated Area m ²	Irriforce Lineer Velocity meter/hour	Total Pressure Neccesity	Turbine + Hose Pressure Lost (bar)	Rainfall (mm)	Total Operation Time for 100 meter travel (Hour)
				Flow Rate Liter/Min	Flow Rate m ³ / Hour						
6 mm - Atom 22	3	17	29	40	2.4	3796	19	4.7	1.7	4.0	5.3
	4	18	31	44	2.65	4040	40	5.8	2.0	2.0	2.5
	4.5	18.5	31	48	2.85	4162	55	6.6	2.4	1.5	1.8
6 mm + 4mm Atom22	3	17	29	57	3.4	3796	39	5.2	2.2	2.8	2.6
	4	18	31	65	3.9	4040	60	6.6	2.6	1.9	1.7
	4.5	18.5	31	70	4.2	4162	80	7.7	3.2	1.5	1.3

IRRIFFORCE MINIX TD1250-120 RAINFALL AND VELOCITY RELATIONS TABLE

Sprinkler Type : Yuzuak Atom22
 Hose Diameter and Length : Diameter : 32 mm (1 1/4 "); Length : 60 meters
 Traveller Length : 120 meters

Nozzle Size	Sprinkler Pressure (Bar)	Sprinkler Throw Range (m)	% 85 of Throw Diameter of Sprinkler (m)	Capacity		Irrigated Area m ²	Irriforce Lineer Velocity meter/hour	Total Pressure Neccesity	Turbine + Hose Pressure Lost (bar)	Rainfall (mm)	Total Operation Time for 120 meter travel (Hour)
				Flow Rate Liter/Min	Flow Rate m ³ / Hour						
8 mm	2.5	16.5	28	63	3.8	3675	19	3.8	1.3	6.5	6.3
	3	18	31	68	4.1	4040	40	4.6	1.6	3.0	3.0
	4	19	32	80	4.8	4285	55	6.6	2.6	2.4	2.2
8 mm X 4mm	2.5	16.5	28	72	4.3	3675	39	4.2	1.7	3.6	3.1
	3	18	31	87	5.2	4040	60	5.7	2.7	2.6	2.0
	4	19	32	100	6	4285	80	7.4	3.4	2.1	1.5
10 mm	2.5	17	29	98	5.9	3796	82	5.4	2.9	2.3	1.5
	3	19.5	33	107	6.4	4409	85	6.3	3.3	2.0	1.4
	3.5	20.5	35	117	7	4659	103	7.6	4.1	1.8	1.2

* PS 1: The Table above was prepared with mathematical formulas and datas under average working conditions. It is targeted to give general information to the user. Real datas can be changed during using conditions. Yüzüak Makine does not accept any responsibility according to usage of this Table.

Real datas can

IRRIFORCE MINI



GB Water of minimum 6,5m³/hour should be delivered through hydrant at 4 bar. It operates with water of maximum 15m³/hour. It has Atom28 irrigation gun on it. Maximum travelling distance is 140 meters. When the irrigation gun revolves one full turn, its effective irrigation distance is maximum 170 meters. Maximum irrigation width is 50 meters. It is mostly used for irrigation of sports grounds and small farms. Furthermore, it may also be used for parks, gardens and small agricultural fields. It may be used as washing gun to remove dust and dirt off the plants in the fields of alfalfa, vegetables, sunflower and olive trees where drip irrigation is used and as support irrigation when irrigation by dipping proves to be insufficient. Minimum recommended pumping power is 5.5 HP. Hose drum winding manually is on it.

ESP Requiere la salida de un mínimo de 6,5m³/hora de agua con 4 bares a través del hidrante. Funciona con un máximo de 15m³/hora de agua. Dispone de una pistola de riego del modelo Atom28. La distancia de desplazamiento máxima es de 140 metros. Cuando la pistola de riego realiza un giro completo, la distancia de riego máxima es de 170 m. El ancho máximo de riego es de 50 m. Ideal para emplear en campos deportivos. Además se puede utilizar en parques, jardines y terrenos agrícolas pequeños. Puede utilizarse para eliminar el polvo y la suciedad de las cosechas con riego por goteo como alfalfa, hortalizas, girasol y olivo y como riego de apoyo cuando el riego por goteo es insuficiente. La potencia mínima de bomba recomendada es de 5.5 HP. Dispone de una manguera de bobinado manual sobre el tambor.



yüzüak[®]
Sprinklers & Travellers

www.yuzuak.com

Easy way for irrigation
New Design Traveller Irrigator
IRRIFORCE

IRRIFFORCE MINI TD1750 -150 RAINFALL AND VELOCITY RELATIONS TABLE

Sprinkler Type : Yuzuak Atom35
 Hose Diameter and Length : Diameter 45 mm (1,75 ") - 75 Meter
 Traveller Length : 150 Meter

							Tribune Pressure Lost 1.2		Tribune Pressure Lost 1.2		Tribune Pressure Lost 1		Tribune Pressure Lost 1	
							10 mm Rainfall		15 mm Rainfall		20 mm Rainfall		25 mm Rainfall	
Nozzle Size	Sprinkler Pressure (Bar)	Sprinkler Throw Range (m)	% 85 of Throw Diameter of Sprinkler (m)	Flow Rate Liter/Min	Flow Rate m ³ / Hour	Irrigated Area m ²	Irriforce Mini Lineer Velocity meter/hour	Total Pressure Necessity	Irriforce Mini Lineer Velocity meter/hour	Total Pressure Necessity	Irriforce Mini Lineer Velocity meter/hour	Total Pressure Necessity	Irriforce Mini Lineer Velocity meter/hour	Total Pressure Necessity
12mm+5mm	2.5	20	34	170	10.2	5,554	28	4.5	18	4.3	14	4.1	11	4.1
	3	24	41	187	11.2	6,773	25	5.1	17	4.9	12	4.7	10	4.7
	4	26	44	217	13	7,397	26	6.3	18	6.1	13	5.9	11	5.9
14mm+5mm	2	21	36	202	12.1	5,855	31	4.2	21	4	15	3.8	12	3.8
	3	25	43	242	14.5	7,084	31	5.6	20	5.4	15	5.2	12	5.2
16mm+5mm	4	28	48	282	16.9	8,029	32	7	21	6.8	16	6.6	13	6.6
	2	22	37	253	15.2	6,159	37	4.7	25	4.5	19	4.3	15	4.3
	3	26	44	315	18.9	7,397	38	6.5	26	6.3	19	6.1	15	6.1

IRRIFFORCE MINI TD1750-130 RAINFALL AND VELOCITY RELATIONS TABLE

Sprinkler Type : Yuzuak Atom35
 Hose Diameter and Length : Diameter 45 mm (1,75 ") ; Length : 65 meters
 Traveller Length : 130 Meter

							Tribune Pressure Lost 1.3		Tribune Pressure Lost 1.2		Tribune Pressure Lost 1		Tribune Pressure Lost 1	
							10 mm Rainfall		15 mm Rainfall		20 mm Rainfall		25 mm Rainfall	
Nozzle Size	Sprinkler Pressure (Bar)	Sprinkler Throw Range (m)	% 85 of Throw Diameter of Sprinkler (m)	Flow Rate Liter/Min	Flow Rate m ³ / Hour	Irrigated Area m ²	Irriforce Mini Lineer Velocity meter/hour	Total Pressure Necessity	Irriforce Mini Lineer Velocity meter/hour	Total Pressure Necessity	Irriforce Mini Lineer Velocity meter/hour	Total Pressure Necessity	Irriforce Mini Lineer Velocity meter/hour	Total Pressure Necessity
12mm+5mm	2.5	20	34	170	10.2	4874	27	4.5	18	4.3	14	4.1	11	4.1
	3	24	41	187	11.2	5957	24	5.1	16	4.9	12	4.7	10	4.7
	4	26	44	217	13	6513	26	6.3	17	6.1	13	5.9	10	5.9
14mm+5mm	2	21	36	202	12.1	5141	31	4.2	20	4	15	3.8	12	3.8
	3	25	43	242	14.5	6234	30	5.6	20	5.4	15	5.2	12	5.2
16mm+5mm	4	28	48	282	16.9	7077	31	7	21	6.8	16	6.6	12	6.6
	2	22	37	253	15.2	5411	37	4.7	24	4.5	18	4.3	15	4.3
	3	26	44	315	18.9	6513	38	6.5	25	6.3	19	6.1	15	6.1

IRRIFFORCE MINI TD1500-100 RAINFALL AND VELOCITY RELATIONS TABLE

Sprinkler Type : Yuzuak Atom28
 Hose Diameter and Length : Diameter 38 mm (1 1/2 ") ; Length : 50 meters
 Traveller Length : 100 Meter

							Tribune Pressure Lost 1.2		Tribune Pressure Lost 1		Tribune Pressure Lost 0.8		Tribune Pressure Lost 0.8	
							10 mm Rainfall		15 mm Rainfall		20 mm Rainfall		25 mm Rainfall	
Nozzle Size	Sprinkler Pressure (Bar)	Sprinkler Throw Range (m)	% 85 of Throw Diameter of Sprinkler (m)	Flow Rate Liter/Min	Flow Rate m ³ / Hour	Irrigated Area m ²	Irriforce Mini Lineer Velocity meter/hour	Total Pressure Necessity	Irriforce Mini Lineer Velocity meter/hour	Total Pressure Necessity	Irriforce Mini Lineer Velocity meter/hour	Total Pressure Necessity	Irriforce Mini Lineer Velocity meter/hour	Total Pressure Necessity
10 mm	3	21	36	130	7.8	4070	19	4.6	13	4.4	10	4.2	8	4.2
	4	23	39	152	9.1	4510	20	5.8	13	5.6	10	5.4	8	5.4
12 mm	2	21	36	150	9	4070	22	3.8	15	3.6	11	3.4	9	3.4
	3	23	39	187	11.2	4510	25	5	17	4.8	12	4.6	10	4.6
14 mm	4	25.5	43	217	13	5073	26	6.3	17	6.1	13	5.9	10	5.9
	2	22	37	200	12	4289	28	4.2	19	4	14	3.8	11	3.8
	3	24	41	235	14.1	4733	30	5.7	20	5.5	15	5.3	12	5.3

* PS1: The Table above was prepared with mathematical formulas and datas under average working conditions. It is targeted to give general information to the user. Real datas can be changed during using conditions. Yüzüak Makine does not accept any responsibility according to usage of this Table.

IRRIFORCE MIDI



GB Water of minimum 12m³/hour should be delivered through hydrant at 4 bar. It operates with water of maximum 30m³/hour. It has JET 50 irrigation gun on it. Maximum travelling distance is 200 meters. When the irrigation gun revolves one full turn, its effective irrigation distance is maximum 250 meters. Maximum irrigation width is 60 meters. It is mostly preferred by those who want to irrigate agricultural farms, meadows and pasture alfalfa. It may also be used for irrigation of any type of agricultural fields. It may be used as washing gun to remove dust and dirt off the plants in the fields of alfalfa, vegetables, corn, sugar beet, sunflower and olive trees where drip irrigation is used and as support irrigation when irrigation by dipping proves to be insufficient. Minimum recommended pumping power is 7.5 HP. Pull-type hose drum manually winding also comes with the machine. Hose drum wound by tractor shaft may be obtained optionally.

ESP Requiere la salida de un mínimo de 12 m³/hora de agua con 4 bares a través del hidrante. Funciona con un máximo de 30 m³/hora de agua. Dispone de una pistola de riego del modelo JET 50. La distancia de desplazamiento máxima es de 200 metros. Cuando la pistola de riego realiza un giro completo, la distancia de riego máxima es de 250 m. El ancho máximo de riego es de 60 m. Ideal para emplear en terrenos agrícolas, prados, alfalfas y pastos. Puede utilizarse en todo tipo de terrenos agrícolas. Puede utilizarse para eliminar el polvo y la suciedad de las cosechas con riego por goteo como alfalfa, hortalizas, maíz, remolacha azucarera, girasol y olivo y como riego de apoyo cuando el riego por goteo es insuficiente. La potencia mínima de bomba recomendada es de 7.5 HP. Dispone de una manguera de bobinado manual sobre el tambor. Opcionalmente, puede adquirirse el tambor de manguera enrollado mediante el eje del tractor.



yüzuak[®]
Sprinklers & Travellers

www.yuzuak.com

Easy way for irrigation
New Design Traveller Irrigator
IRRIFORCE

IRRIFORCE MIDI TD2000-200 RAINFALL AND VELOCITY RELATIONS TABLE

Sprinkler Type : **Yuzuak Atom40S**
 Hose Diameter and Length : Hose inside diameter : 51 mm (2 ") ; Length : 100 meters
 Traveller Length : **200 meters**

							Tribune Pressure Lost 1.3		Tribune Pressure Lost 1.1		Tribune Pressure Lost 0.8		Tribune Pressure Lost 0.8		Tribune Pressure Lost 0.8	
							10 mm Rainfall		15 mm Rainfall		20 mm Rainfall		25 mm Rainfall		30 mm Rainfall	
Nozzle Size	Sprinkler Pressure (Bar)	Sprinkler Throw Range (m)	% 85 of Throw Diameter of Sprinkler (m)	Capacity		Irrigated Area m ²	Irriforce Mini Lineer Velocity meter/hour	Total Pressure Neccessity(bar)	Irriforce Mini Lineer Velocity meter/hour	Total Pressure Neccessity(bar)	Irriforce Mini Lineer Velocity meter/hour	Total Pressure Neccessity(bar)	Irriforce Mini Lineer Velocity meter/hour	Total Pressure Neccessity(bar)	Irriforce Mini Lineer Velocity meter/hour	Total Pressure Neccessity(bar)
				Flow Rate Liter/Min	Flow Rate m ³ / Hour											
14 mm	2.5	22	37	217	13	8029	32	4.3	22	4.1	16	3.8	13	3.8	11	3.8
	3	27	46	238	14.3	10007	29	4.9	19	4.7	14	4.4	11	4.4	10	4.4
	4	30	51	277	16.6	11221	30	6.1	20	5.9	15	5.6	12	5.6	10	5.6
	5	32	54	308	18.5	12042	31	7.4	20	7.2	15	6.9	12	6.9	10	6.9
16mm	3	29	49	303	18.2	10814	34	5.3	22	5.1	17	4.8	13	4.8	11	4.8
	4	33	56	350	21	12455	34	6.7	22	6.5	17	6.2	13	6.2	11	6.2
	4.5	34	58	367	22	12871	34	7.2	23	7	17	6.7	14	6.7	11	6.7
18mm	3	30	51	375	22.5	11221	40	6.1	27	5.9	20	5.6	16	5.6	13	5.6
	4	33	56	460	27.6	12455	44	7.5	30	7.3	22	7	18	7	15	7

IRRIFORCE MIDI TD2200-200 RAINFALL AND VELOCITY RELATIONS TABLE

Sprinkler Type : **Jet 50**
 Hose Inside Diameter and Length: Hose inside diameter 55mm , 2.2" 100 M Hose
 Traveller Length : **200 meters**

							Tribune Pressure Lost (Bar) 1.3		Tribune Pressure Lost (Bar) 1.1		Tribune Pressure Lost (Bar) 0.8		Tribune Pressure Lost (Bar) 0.8		Tribune Pressure Lost (Bar) 0.8	
							10 mm Rainfall		15 mm Rainfall		20 mm Rainfall		25 mm Rainfall		30 mm Rainfall	
Nozzle Size	Sprinkler Pressure (Bar)	Sprinkler Throw Range (m)	% 85 of Throw Diameter of Sprinkler (m)	Capacity		Irrigated Area m ²	Irriforce Lineer Velocity meter/hour	Total Pressure Bar	Irriforce Lineer Velocity meter/hour	Total Pressure Bar	Irriforce Lineer Velocity meter/hour	Total Pressure Bar	Irriforce Lineer Velocity meter/hour	Total Pressure Bar	Irriforce Lineer Velocity meter/hour	Total Pressure Bar
				Flow Rate Lt/Min	Flow Rate m ³ / Hour											
14 mm	2.5	25	43	237	14.2	9209	31	4.2	21	4	15	3.7	12	3.7	10	3.7
	3	28	48	247	14.8	10409	28	4.7	19	4.5	14	4.2	11	4.2	9	4.2
	4	31	53	287	17.2	11630	30	5.9	20	5.7	15	5.4	12	5.4	10	5.4
	5	33	56	315	18.9	12455	30	7	20	6.8	15	6.5	12	6.5	10	6.5
16mm	3	30	51	308	18.5	11221	33	5	22	4.8	16	4.5	13	4.5	11	4.5
	4	34	58	358	21.5	12871	33	6.2	22	6	17	5.7	13	5.7	11	5.7
	5	35	60	392	23.5	13290	35	7.4	24	7.2	18	6.9	14	6.9	12	6.9
18mm	3	32	54	390	23.4	12042	39	5.4	26	5.2	19	4.9	16	4.9	13	4.9
	4	35	60	445	26.7	13290	40	7.7	27	7.5	20	7.2	16	7.2	13	7.2
	4.5	38	65	472	28.3	14558	39	7.4	26	7.2	19	6.9	16	6.9	13	6.9
20mm	3	35	60	463	27.8	13290	42	5.8	28	5.6	21	5.3	17	5.3	14	5.3
	4	38	65	548	32.9	14558	45	7.3	30	7.1	23	6.8	18	6.8	15	6.8
	4.5	41	70	583	35	15847	44	8.2	29	8	22	7.7	18	7.7	15	7.7

* NOTE: The Table above was prepared with mathematical formulas and datas under average working conditions. It is targeted to give general information to the user. Real datas can be changed during using conditions. Yüzüak Makine does not accept any responsibility according to usage of this Table.

IRRIFORCE MICO



GB Water of minimum 12m³/hour should be delivered through hydrant at 4 bar. It operates with water of maximum 30m³/hour. It has JET50 irrigation gun on it. Maximum travelling distance is 300 meters. When the irrigation gun revolves one full turn, its effective irrigation distance is maximum 350 meters. Maximum irrigation width is 60 meters. It is mostly preferred by those who want to irrigate agricultural farms, meadows and pasture alfalfa. It may also be used for irrigation of any type of agricultural fields. It may also be used as washing gun to remove dust and dirt off the plants in the fields of alfalfa, vegetables, corn, sugar beet, sunflower and olive trees where drip irrigation is used and as support irrigation when irrigation by dipping proves to be insufficient. Minimum recommended pumping power is 10 HP. Pull-type hose drum manually winding also comes with the machine. Hose drum wound by tractor shaft may be obtained optionally.

ESP Requiere la salida de un mínimo de 12 m³/hora de agua con 4 bares a través del hidrante. Funciona con un máximo de 30 m³/hora de agua. Dispone de una pistola de riego del modelo JET50. La distancia de desplazamiento máxima es de 300 metros. Cuando la pistola de riego realiza un giro completo, la distancia de riego máxima es de 350 m. El ancho máximo de riego es de 60 m. Ideal para emplear en terrenos agrícolas, prados, alfalfas y pastos. Puede utilizarse en todo tipo de terrenos agrícolas. Puede utilizarse para eliminar el polvo y la suciedad de las cosechas con riego por goteo como alfalfa, hortalizas, maíz, remolacha azucarera, girasol y olivo y como riego de apoyo cuando el riego por goteo es insuficiente. La potencia mínima de bomba recomendada es de 10 HP. Dispone de una manguera de bobinado manual sobre el tambor. Opcionalmente, puede adquirirse el tambor de manguera enrollado mediante el eje del tractor.



yüzüak[®]
Sprinklers & Travellers

www.yuzuak.com

Easy way for irrigation
New Design Traveller Irrigator
IRRIFORCE

IRRIFFORCE MICO TD2200-200 RAINFALL AND VELOCITY RELATIONS TABLE

Sprinkler Type : Yuzuak JET50

Hose Diameter and Length : Hose Inside diameter 55 mm(2.2 ") Length:100 meters

Traveller Length : 200 Meter

Nozzle Size	Sprinkler Pressure (Bar)	Sprinkler Throw Range (m)	% 85 of Throw Diameter of Sprinkler (m)	Capacity			Tribune Pressure Lost 1.3		Tribune Pressure Lost 1.1		Tribune Pressure Lost 0.8		Tribune Pressure Lost 0.8		Tribune Pressure Lost 0.8	
				Flow Rate Liter/Min	Flow Rate m ³ / Hour	Irrigated Area m ²	10 mm Rainfall		15 mm Rainfall		20 mm Rainfall		25 mm Rainfall		30 mm Rainfall	
							Irriforce Mini Linear Velocity meter/hour	Total Pressure Neccesity(bar)	Irriforce Mini Linear Velocity meter/hour	Total Pressure Neccesity(bar)	Irriforce Mini Linear Velocity meter/hour	Total Pressure Neccesity(bar)	Irriforce Mini Linear Velocity meter/hour	Total Pressure Neccesity(bar)	Irriforce Mini Linear Velocity meter/hour	Total Pressure Neccesity(bar)
14 mm	2.5	22	37	217	13	8029	32	4	22	3.8	16	3.5	13	3.5	11	3.5
	3	27	46	238	14.3	10007	29	4.7	19	4.5	14	4.2	11	4.2	10	4.2
	4	30	51	277	16.6	11221	30	5.9	20	5.7	15	5.4	12	5.4	10	5.4
	5	32	54	308	18.5	12042	31	7	20	6.8	15	6.5	12	6.5	10	6.5
16mm	3	29	49	303	18.2	10814	34	5	22	4.8	17	4.5	13	4.5	11	4.5
	4	33	56	350	21	12455	34	6.2	22	6	17	5.7	13	5.7	11	5.7
	4.5	34	58	367	22	12871	34	6.8	23	6.6	17	6.3	14	6.3	11	6.3
18mm	3	30	51	375	22.5	11221	40	5.3	27	5.1	20	4.8	16	4.8	13	4.8
	4	33	56	460	27.6	12455	44	6.8	30	6.6	22	6.3	18	6.3	15	6.3

IRRIFFORCE MICO TD2200-300 RAINFALL AND VELOCITY RELATIONS TABLE

Sprinkler Type : Yuzuak JET50

Hose Diameter and Length : Hose Inside diameter 55 mm(2.2 ") Length:150 meters

Traveller Length : 300 Meter

Nozzle Size	Sprinkler Pressure (Bar)	Sprinkler Throw Range (m)	% 85 of Throw Diameter of Sprinkler (m)	Capacity			Tribune Pressure Lost (Bar) 1.3		Tribune Pressure Lost (Bar) 1.1		Tribune Pressure Lost (Bar) 0.8		Tribune Pressure Lost (Bar) 0.8		Tribune Pressure Lost (Bar) 0.8	
				Flow Rate Lt/Min	Flow Rate m ³ / Hour	Irrigated Area m ²	10 mm Rainfall		15 mm Rainfall		20 mm Rainfall		25 mm Rainfall		30 mm Rainfall	
							Irriforce Linear Velocity meter/hour	Total Pressure Bar	Irriforce Linear Velocity meter/hour	Total Pressure Bar	Irriforce Linear Velocity meter/hour	Total Pressure Bar	Irriforce Linear Velocity meter/hour	Total Pressure Bar	Irriforce Linear Velocity meter/hour	Total Pressure Bar
14 mm	2.5	25	43	237	14.2	13459	32	4.4	21	4.2	16	3.9	13	3.9	11	3.9
	3	28	48	247	14.8	15169	29	5	20	4.8	15	4.5	12	4.5	10	4.5
	4	31	53	287	17.2	16900	31	6.2	20	6	15	5.7	12	5.7	10	5.7
	4.5	32	54	300	18	17482	31	6.8	21	6.6	15	6.3	12	6.3	10	6.3
16mm	3	30	51	308	18.5	16321	34	5.3	23	5.1	17	4.8	14	4.8	11	4.8
	4	34	58	358	21.5	18651	35	6.7	23	6.5	17	6.2	14	6.2	12	6.2
	4.5	34	58	370	22.2	18651	36	7.2	24	7	18	6.7	14	6.7	12	6.7
18mm	3	32	54	390	23.4	17482	40	5.9	27	5.7	20	5.4	16	5.4	13	5.4
	4	35	60	445	26.7	19240	42	7.4	28	7.2	21	6.9	17	6.9	14	6.9
	4.5	38	65	472	28.3	21018	40	8.2	27	8	20	7.7	16	7.7	13	7.7

IRRIFFORCE MICO TD2500-200 RAINFALL AND VELOCITY RELATIONS TABLE

Sprinkler Type : Yuzuak JET50

Hose Diameter and Length : Hose Inside diameter 65 mm(2.5 ") Length:100 meters

Traveller Length : 200 Meter

Nozzle Size	Sprinkler Pressure (Bar)	Sprinkler Throw Range (m)	% 85 of Throw Diameter of Sprinkler (m)	Capacity			Tribune Pressure Lost 1.3		Tribune Pressure Lost 1.1		Tribune Pressure Lost 0.8		Tribune Pressure Lost 0.8		Tribune Pressure Lost 0.8	
				Flow Rate Liter/Min	Flow Rate m ³ / Hour	Irrigated Area m ²	10 mm Rainfall		15 mm Rainfall		20 mm Rainfall		25 mm Rainfall		30 mm Rainfall	
							Irriforce Mini Linear Velocity meter/hour	Total Pressure Neccesity(bar)	Irriforce Mini Linear Velocity meter/hour	Total Pressure Neccesity(bar)	Irriforce Mini Linear Velocity meter/hour	Total Pressure Neccesity(bar)	Irriforce Mini Linear Velocity meter/hour	Total Pressure Neccesity(bar)	Irriforce Mini Linear Velocity meter/hour	Total Pressure Neccesity(bar)
14mm	3	27	46	238	14.3	10007	29	4.5	19	4.3	14	4	11	4	10	4
	4	30	51	277	16.6	11221	30	5.5	20	5.3	15	5	12	5	10	5
	5	32	54	308	18.5	12042	31	6.6	20	6.4	15	6.1	12	6.1	10	6.1
	5	32	54	308	18.5	12042	31	6.6	20	6.4	15	6.1	12	6.1	10	6.1
16mm	3	29	49	303	18.2	10814	34	4.6	22	4.4	17	4.1	13	4.1	11	4.1
	4	33	56	350	21	12455	34	5.7	22	5.5	17	5.2	13	5.2	11	5.2
	4.5	34	58	367	22	12871	34	6.1	23	5.9	17	5.6	14	5.6	11	5.6
18mm	3	32	54	390	23.4	17482	39	4.8	26	4.6	19	4.3	16	4.3	13	4.3
	4	35	60	445	26.7	19240	40	5.9	27	5.7	20	5.4	16	5.4	13	5.4
	5	38	65	498	29.9	14558	41	6.8	27	6.6	21	6.3	16	6.3	14	6.3
20mm	3	35	60	463	27.8	13290	42	4.9	28	4.7	21	4.4	17	4.4	14	4.4
	4	38	65	548	32.9	14558	45	6.2	30	6	23	5.7	18	5.7	15	5.7
22mm	3	36	61	567	34	13710	50	5.3	33	5.1	25	4.8	20	4.8	17	4.8
	4	40	68	680	40.8	15415	53	6.7	35	6.5	26	6.2	21	6.2	18	6.2

* NOTE : The Table above was prepared with mathematical formulas and datas under average working conditions. It is targeted to give general information to the user. Real datas can be changed during using conditions. Yüzüak Makine does not accept any responsibility according to usage of this Table.

IRRIFORCE MICO X TD2500-300

Maximum Travel Length
300 Meter – 980 Feet

Water Consumption Interval
18,5m³/h – 45m³/h
80GPM – 200GPM

El Ancho Máximo De Riego
300 metro -980 pies

Rango De Consumo De Agua
18,5m³/h – 45m³/h
80GPM-200GPM



GB Water of minimum 20m³/hour should be delivered through hydrant at 5 bar. It operates with water of maximum 45m³/hour. It has JET50 irrigation gun on it. Maximum travelling distance is 300 meters. When the irrigation gun revolves one full turn, its effective irrigation distance is maximum 350 meters. Maximum irrigation width is 70 meters. It is mostly preferred by those who want to irrigate agricultural farms, meadows and pasture alfalfa. It may also be used for irrigation of any type of agricultural fields. It may also be used as washing gun to remove dust and dirt off the plants in the fields of alfalfa, vegetables, corn, sugar beet, sunflower and olive trees where drip irrigation is used and as support irrigation when irrigation by dipping proves to be insufficient. Minimum recommended pumping power is 10 HP. Pull-type hose drum manually winding also comes with the machine. Hose drum wound by tractor shaft may be obtained optionally.

ESP Requiere la salida de un mínimo de 20 m³/hora de agua con 5 bares a través del hidrante. Funciona con un máximo de 45 m³/hora de agua. Dispone de una pistola de riego del modelo JET50. La distancia de desplazamiento máxima es de 300 metros. Cuando la pistola de riego realiza un giro completo, la distancia de riego máxima es de 350 m. El ancho máximo de riego es de 60 m. Ideal para emplear en terrenos agrícolas, prados, alfalfas y pastos. Puede utilizarse en todo tipo de terrenos agrícolas. Puede utilizarse para eliminar el polvo y la suciedad de las cosechas con riego por goteo como alfalfa, hortalizas, maíz, remolacha azucarera, girasol y olivo y como riego de apoyo cuando el riego por goteo es insuficiente. La potencia mínima de bomba recomendada es de 10 HP. Dispone de una manguera de bobinado manual sobre el tambor. Opcionalmente, puede adquirirse el tambor de manguera enrollado mediante el eje del tractor.



yüziüak[®]
Sprinklers & Travellers

www.yuzuak.com

Easy way for irrigation
New Design Traveller Irrigator
IRRIFORCE

IRRIFORCE MICO X TD2500-300 RAINFALL AND VELOCITY RELATIONS TABLE

Sprinkler Type : **Jet 55**
 Hose Inside Diameter and Length: Hose inside diameter 65mm(2.5") 150 M Hose
 Traveller Length : **300 meters**

Nozzle Size	Sprinkler Pressure (Bar)	Sprinkler Throw Range (m)	% 85 of Throw Diameter of Sprinkler (m)	Capacity			Tribune Pressure Lost (Bar) 1.1		Tribune Pressure Lost (Bar) 0.9		Tribune Pressure Lost (Bar) 0.7		Tribune Pressure Lost (Bar) 0.7		Tribune Pressure Lost (Bar) 0.7	
				Flow Rate Lt/Min	Flow Rate m ³ / Hour	Irrigated Area m ²	10 mm Rainfall		15 mm Rainfall		20 mm Rainfall		25 mm Rainfall		30 mm Rainfall	
							Irriforce Lineer Velocity meter/hour	Total Pressure Bar	Irriforce Lineer Velocity meter/hour	Total Pressure Bar	Irriforce Lineer Velocity meter/hour	Total Pressure Bar	Irriforce Lineer Velocity meter/hour	Total Pressure Bar	Irriforce Lineer Velocity meter/hour	Total Pressure Bar
14 mm	2.5	25	43	237	14.2	13459	32	4.2	21	4	16	3.8	13	3.8	11	3.8
	3	28	48	247	14.8	15169	29	4.5	20	4.3	15	4.5	12	4.5	10	4.5
	4	31	53	287	17.2	16900	31	5.5	20	5.3	15	5.7	12	5.7	10	5.7
	4.5	32	54	300	18	17482	31	6	21	5.8	15	6.2	12	6.2	10	6.2
16mm	3	30	51	308	18.5	16321	34	4.5	23	4.3	17	4.0	14	4.0	11	4.0
	4	34	58	358	21.5	18651	35	5.7	23	5.5	17	5.2	14	5.2	12	5.2
	4.5	34	58	370	22.2	18651	36	6.2	24	6	18	5.7	14	5.7	12	5.7
18mm	3	32	54	390	23.4	17482	40	4.8	27	4.6	20	4.3	16	4.3	13	4.3
	4	35	60	445	26.7	19240	42	6	28	5.8	21	5.5	17	5.5	14	5.5
	4.5	38	65	472	28.3	21018	40	6.6	27	6.4	20	6.1	16	6.1	13	6.1
20mm	3	35	60	463	27.8	19240	43	5	29	4.8	22	4.5	17	4.5	14	4.5
	4	38	65	548	32.9	21018	47	6.5	31	6.3	23	6	19	6	16	6
	4.5	39	66	583	35	21615	49	7.2	32	7	24	6.7	19	6.7	16	6.7

* NOTE : The Table above was prepared with mathematical formulas and datas under average working conditions. It is targeted to give general information to the user. Real datas can be changed during using conditions. Yüzüak Makine does not accept any responsibility according to usage of this Table.



IRRIFORCE ECO TD2500-TD3000



GB Water of minimum 18m³/hour should be delivered through hydrant at 5 bar. It operates with water of maximum 65m³/hour. It has JET55 irrigation gun on it. Maximum travelling distance is 400 meters. When the irrigation gun revolves one full turn, its effective irrigation distance is maximum 450 meters. Maximum irrigation width is 100 meters. It is mostly preferred by agricultural farmers and those who desire to irrigate meadows and pasture alfalfa and corn. It may be used for irrigation of any type of agricultural fields. It may also be used as washing gun to remove dust and dirt off the plants in the fields of alfalfa, vegetables, corn, sugar beet, sunflower and olive trees where drip irrigation is used and as support irrigation when irrigation by dipping proves to be insufficient. Minimum recommended pumping power is progressive 20 HP. Hose drum with planetary gear, allowing winding by means of tractor shaft is standard. Compressor used to discharge the water in the house can be obtained optionally.

ESP Requiere la salida de un mínimo de 18 m³/hora de agua con 5 bares a través del hidrante. Funciona con un máximo de 65 m³/hora de agua. Dispone de una pistola de riego del modelo JET55. La distancia de desplazamiento máxima es de 400 metros. Cuando la pistola de riego realiza un giro completo, la distancia de riego máxima es de 450 m. El ancho máximo de riego es de 100 m. Ideal para emplear en terrenos agrícolas, prados, alfalfas, pastos y maíz. Puede utilizarse en todo tipo de terrenos agrícolas. Puede utilizarse para eliminar el polvo y la suciedad de las cosechas con riego por goteo como alfalfa, hortalizas, maíz, remolacha azucarera, girasol y olivo y como riego de apoyo cuando el riego por goteo es insuficiente. La potencia mínima de bomba recomendada es de 20 HP. Dispone de tambor de manguera con engranaje planetario enrollado mediante el eje del tractor. Cuenta con un compresor de aire para descargar el agua que queda dentro de la manguera.



yüzuak[®]
Sprinklers & Travellers

www.yuzuak.com

Easy way for irrigation
New Design Traveller Irrigator
IRRIFORCE

IRRIFFORCE ECO TD2500 - 400 RAINFALL AND VELOCITY RELATIONS TABLE

Sprinkler Type : JET55

Hose Diameter and Length :65mm 200M hose X Maximum 400M Travel Lenght

Nozzle Size	Sprinkler Pressure (Bar)	Sprinkler Throw Range (m)	% 85 of Throw Diameter of Sprinkler (m)	Capacity			Irrigated Area		Tribune Pressure Lost (Bar) 1.3		Tribune Pressure Lost (Bar) 1.1		Tribune Pressure Lost (Bar) 0.8		Tribune Pressure Lost (Bar) 0.8		Tribune Pressure Lost (Bar) 0.8	
				Flow Rate Liter/Min	Flow Rate m ³ / Hour	m ²	10 mm rainfall		15 mm rainfall		20 mm rainfall		25 mm rainfall		30 mm rainfall			
							Irriforce Lineer Velocity meter/hour	Total Pressure Bar	Irriforce Lineer Velocity meter/hour	Total Pressure Bar	Irriforce Lineer Velocity meter/hour	Total Pressure Bar	Irriforce Lineer Velocity meter/hour	Total Pressure Bar	Irriforce Lineer Velocity meter/hour	Total Pressure Bar		
16mm	3	30	51	308	18.5	21421	35	4.9	23	4.7	17	4.4	14	4.4	12	4.4		
	4	33	56	358	21.5	23675	36	6	24	5.8	18	5.5	15	5.5	12	5.5		
	5	34	58	392	23.5	24431	38	7.3	26	7.1	19	6.8	15	6.8	13	6.8		
18mm	3	32	54	390	23.4	22922	41	5.2	27	5	20	4.7	16	4.7	14	4.7		
	4	35	60	445	26.7	25190	42	6.5	28	6.3	21	6.0	17	6.0	14	6.0		
	4.5	36	61	483	29	25950	45	7.3	30	7.1	22	6.8	18	6.8	15	6.8		
20mm	3	35	60	463	27.8	25190	44	5.5	29	5.3	22	5.0	18	5.0	15	5.0		
	4	38	65	548	32.9	27478	48	6.8	32	6.6	24	6.3	19	6.3	16	6.3		

IRRIFFORCE ECO TD3000 - 300 RAINFALL AND VELOCITY RELATIONS TABLE

Sprinkler Type : JET55

Hose Diameter and Length :76mm 150M hose X Maximum 300M Travel Lenght

Nozzle Size	Sprinkler Pressure (Bar)	Sprinkler Throw Range (m)	% 85 of Throw Diameter of Sprinkler (m)	Capacity			Irrigated Area		Tribune Pressure Lost (Bar) 1.3		Tribune Pressure Lost (Bar) 1.1		Tribune Pressure Lost (Bar) 0.8		Tribune Pressure Lost (Bar) 0.8		Tribune Pressure Lost (Bar) 0.8	
				Flow Rate Liter/Min	Flow Rate m ³ / Hour	m ²	10 mm rainfall		15 mm rainfall		20 mm rainfall		25 mm rainfall		30 mm rainfall			
							Irriforce Lineer Velocity meter/hour	Total Pressure Bar	Irriforce Lineer Velocity meter/hour	Total Pressure Bar	Irriforce Lineer Velocity meter/hour	Total Pressure Bar	Irriforce Lineer Velocity meter/hour	Total Pressure Bar	Irriforce Lineer Velocity meter/hour	Total Pressure Bar		
20mm	3	35	60	467	28	19240	44	4.8	29	4.6	22	4.3	17	4.3	15	4.3		
	4	38	65	550	33	21018	47	5.9	31	5.7	24	5.4	19	5.4	16	5.4		
	5	42	71	617	37	23421	47	7.1	32	6.9	24	6.6	19	6.6	16	6.6		
22mm	3	36	61	567	34	19830	51	5	34	4.8	26	4.5	21	4.5	17	4.5		
	4	40	68	683	41	22215	55	6.3	37	6.1	28	5.8	22	5.8	18	5.8		
	5	44	75	750	45	24636	55	7.5	37	7.3	27	7.0	22	7.0	18	7.0		
24mm	3	38	65	683	41	21018	59	5.3	39	5.1	29	4.8	23	4.8	20	4.8		
	4	43	73	800	48	24027	60	6.6	40	6.4	30	6.1	24	6.1	20	6.1		
	5	46	78	883	53	25860	61	7.8	41	7.6	31	7.3	25	7.3	20	7.3		
26mm	4	45	77	867	52	25247	62	6.2	41	6	31	5.7	25	5.7	21	5.7		
	4.5	46	78	917	55	25860	64	7.5	43	7.3	32	7.0	26	7.0	21	7.0		
28mm	4	47	80	1033	62	26476	70	7.5	47	7.3	35	7.0	28	7.0	23	7.0		

IRRIFFORCE ECO TD3000 - 400 RAINFALL AND VELOCITY RELATIONS TABLE

Sprinkler Type : JET55

Hose Diameter and Length :76mm 200M hose X Maximum 400M Travel Lenght

Nozzle Size	Sprinkler Pressure (Bar)	Sprinkler Throw Range (m)	% 85 of Throw Diameter of Sprinkler (m)	Capacity			Irrigated Area		Tribune Pressure Lost (Bar) 1.3		Tribune Pressure Lost (Bar) 1.1		Tribune Pressure Lost (Bar) 0.8		Tribune Pressure Lost (Bar) 0.8		Tribune Pressure Lost (Bar) 0.8	
				Flow Rate Liter/Min	Flow Rate m ³ / Hour	m ²	10 mm rainfall		15 mm rainfall		20 mm rainfall		25 mm rainfall		30 mm rainfall			
							Irriforce Lineer Velocity meter/hour	Total Pressure Bar	Irriforce Lineer Velocity meter/hour	Total Pressure Bar	Irriforce Lineer Velocity meter/hour	Total Pressure Bar	Irriforce Lineer Velocity meter/hour	Total Pressure Bar	Irriforce Lineer Velocity meter/hour	Total Pressure Bar		
20mm	3	35	60	467	28	25190	44	4.9	30	4.7	22	4.4	18	4.4	15	4.4		
	4	38	65	550	33	27478	48	6.2	32	6	24	5.7	19	5.7	16	5.7		
	5	42	71	617	37	30561	48	7.4	32	7.2	24	6.9	19	6.9	16	6.9		
22mm	3	36	61	567	34	25950	52	5.3	35	5.1	26	4.8	21	4.8	17	4.8		
	4	40	68	683	41	29015	57	6.6	38	6.4	28	6.1	23	6.1	19	6.1		
	4.5	42	71	733	44	30561	58	7.3	38	7.1	29	6.8	23	6.8	19	6.8		
24mm	3	38	65	683	41	27478	60	5.6	40	5.4	30	5.1	24	5.1	20	5.1		
	4	43	73	800	48	31337	61	6.9	41	6.7	31	6.4	25	6.4	20	6.4		
	4.5	44	75	850	51	32116	64	7.8	42	7.6	32	7.3	25	7.3	21	7.3		
26mm	4	45	77	867	52	32897	63	6.6	42	6.4	32	6.1	25	6.1	21	6.1		
	4.5	46	78	917	55	33680	65	8.1	44	7.9	33	7.6	26	7.6	22	7.6		
28mm	4	47	80	1033	62	34466	72	7.5	48	7.3	36	7.0	29	7.0	24	7.0		

* The Table above was prepared with mathematical formulas and datas under average working conditions. It is targeted to give general information to the user. Real datas can be changed during using conditions. Yüzüak Makine does not accept any responsibility according to usage of this Table.

IRRIFORCE ULTRA



GB Water of minimum 28m³/hour should be delivered through hydrant at 5 bar. It operates with water of maximum 65m³/hour. It has JET65 irrigation gun on it. Maximum travelling distance is 500 meters. When the irrigation gun revolves one full turn, its effective irrigation distance is maximum 550 meters. Maximum irrigation width is 90 meters. It is mostly preferred by agricultural farmers and those who desire to irrigate meadows and pasture alfalfa and corn. It may be used for irrigation of any type of agricultural fields. It may also be used as washing gun to remove dust and dirt off the plants in the fields of alfalfa, vegetables, corn, sugar beet, sunflower and olive trees where drip irrigation is used and as support irrigation when irrigation by dipping proves to be insufficient. Minimum recommended pumping power is progressive 20 HP. Hose drum with planetary gear, allowing winding by means of tractor shaft is standard. Compressor used to discharge the water in the house can be obtained optionally.

ESP Requiere la salida de un mínimo de 28 m³/hora de agua con 5 bares a través del hidrante. Funciona con un máximo de 65 m³/hora de agua. Dispone de una pistola de riego del modelo JET65. La distancia de desplazamiento máxima es de 500 metros. Cuando la pistola de riego realiza un giro completo, la distancia de riego máxima es de 550 m. El ancho máximo de riego es de 90 m. Ideal para emplear en terrenos agrícolas, prados, alfalfas, pastos y maíz. Puede utilizarse en todo tipo de terrenos agrícolas. Puede utilizarse para eliminar el polvo y la suciedad de las cosechas con riego por goteo como alfalfa, hortalizas, maíz, remolacha azucarera, girasol y olivo y como riego de apoyo cuando el riego por goteo es insuficiente. La potencia mínima de bomba recomendada es de 20 HP. Dispone de tambor de manguera con engranaje planetario enrollado mediante el eje del tractor. Cuenta con un compresor de aire para descargar el agua que queda dentro de la manguera.

Easy way for irrigation
New Design Traveller Irrigator
IRRIFORCE

yüziak[®]
Sprinklers & Travellers

www.yuzuak.com

IRRIFORCE ULTRA TD3500-400 RAINFALL AND VELOCITY RELATIONS TABLE

Sprinkler Type : **Jet 65**
 Hose Diameter and Length : 90mm 200M hose X Maximum 400M Travel Length

Nozzle Size	Sprinkler Pressure (Bar)	Sprinkler Throw Range (m)	% 85 of Throw Diameter of Sprinkler (m)	Capacity		Irrigated Area m ²	Tribune Pressure Lost (Bar) 1.4		Tribune Pressure Lost (Bar) 1.1		Tribune Pressure Lost (Bar) 0.9		Tribune Pressure Lost (Bar) 0.9		Tribune Pressure Lost (Bar) 0.7	
				Flow Rate Liter/Min	Flow Rate m ³ / Hour		15 mm rainfall		20 mm rainfall		25 mm rainfall		30 mm rainfall		40 mm rainfall	
						Irriforce	Lineer Velocity meter/hour	Total Pressure Bar	Irriforce	Lineer Velocity meter/hour	Total Pressure Bar	Irriforce	Lineer Velocity meter/hour	Total Pressure Bar	Irriforce	Lineer Velocity meter/hour
24mm	3	39	66	667	40	28245	38	4.8	28	4.5	23	4.3	19	4.3	14	4.1
	4	43	73	800	48	31337	41	6.1	31	5.8	25	5.6	20	5.6	15	5.4
	5	49	83	917	55	36044	41	7.3	31	7.0	24	6.8	20	6.8	15	6.6
	6	52	88	983	59	38427	41	8.4	31	8.1	25	7.9	20	7.9	15	7.7
26mm	3	41	70	783	47	29787	42	5	32	4.7	25	4.5	21	4.5	16	4.3
	4	48	82	933	56	35253	42	6.3	32	6.0	25	5.8	21	5.8	16	5.6
	5	50	85	1050	63	36836	46	7.4	34	7.1	27	6.9	23	6.9	17	6.7
28mm	4	49	83	1083	65	36044	48	6.6	36	6.3	29	6.1	24	6.1	18	5.9
	5	53	90	1200	72	39226	49	7.9	37	7.6	29	7.4	24	7.4	18	7.2
30mm	4	50	85	1217	73	36836	53	6.8	40	6.5	32	6.3	26	6.3	20	6.1
	5	54	92	1350	81	40028	54	8.2	40	7.9	32	7.7	27	7.7	20	7.5
32mm	4	52	88	1367	82	38427	57	7.3	43	7.0	34	6.8	28	6.8	21	6.6
	5	56	95	1533	92	41637	59	8.8	44	8.5	35	8.3	29	8.3	22	8.1

* NOT : The Table above was prepared with mathematical formulas and datas under average working conditions. It is targeted to give general information to the user. Real datas can be changed during using conditions. Yüzüak Makine does not accept any responsibility according to usage of this Table.

IRRIFORCE ULTRA TD3500-500 RAINFALL AND VELOCITY RELATIONS TABLE

Sprinkler Type : **Jet 65**
 Hose Diameter and Length : 90mm 250M hose X Maximum 500M Travel Length

Nozzle Size	Sprinkler Pressure (Bar)	Sprinkler Throw Range (m)	% 85 of Throw Diameter of Sprinkler (m)	Capacity		Irrigated Area m ²	Tribune Pressure Lost (Bar) 1.4		Tribune Pressure Lost (Bar) 1.1		Tribune Pressure Lost (Bar) 0.9		Tribune Pressure Lost (Bar) 0.9		Tribune Pressure Lost (Bar) 0.7	
				Flow Rate Liter/Min	Flow Rate m ³ / Hour		15 mm rainfall		20 mm rainfall		25 mm rainfall		30 mm rainfall		40 mm rainfall	
						Irriforce	Lineer Velocity meter/hour	Total Pressure Bar	Irriforce	Lineer Velocity meter/hour	Total Pressure Bar	Irriforce	Lineer Velocity meter/hour	Total Pressure Bar	Irriforce	Lineer Velocity meter/hour
24mm	3	39	66	667	40	34875	38	5	29	4.7	23	4.5	19	4.5	14	4.3
	4	43	73	800	48	38647	41	6.3	31	6.0	25	5.8	21	5.8	16	5.6
	5	49	83	917	55	44374	41	7.3	31	7.0	25	6.8	21	6.8	15	6.6
	6	52	88	983	59	47267	42	8.6	31	8.3	25	8.1	21	8.1	16	7.9
26mm	3	41	70	783	47	36757	43	5.3	32	5.0	26	4.8	21	4.8	16	4.6
	4	48	82	933	56	43413	43	6.6	32	6.3	26	6.1	21	6.1	16	5.9
	5	50	85	1050	63	45336	46	7.7	35	7.4	28	7.2	23	7.2	17	7.0
28mm	4	49	83	1083	65	44374	49	7.1	37	6.8	29	6.6	24	6.6	18	6.4
	5	53	90	1200	72	48236	50	8.4	37	8.1	30	7.9	25	7.9	19	7.7
30mm	4	50	85	1217	73	45336	54	7.4	40	7.1	32	6.9	27	6.9	20	6.7
	5	54	92	1350	81	49208	55	9	41	8.7	33	8.5	27	8.5	21	8.3
32mm	4	52	88	1367	82	47267	58	8	43	7.7	35	7.5	29	7.5	22	7.3
	4.5	54	92	1433	86	49208	58	8.8	44	8.5	35	8.3	29	8.3	22	8.1

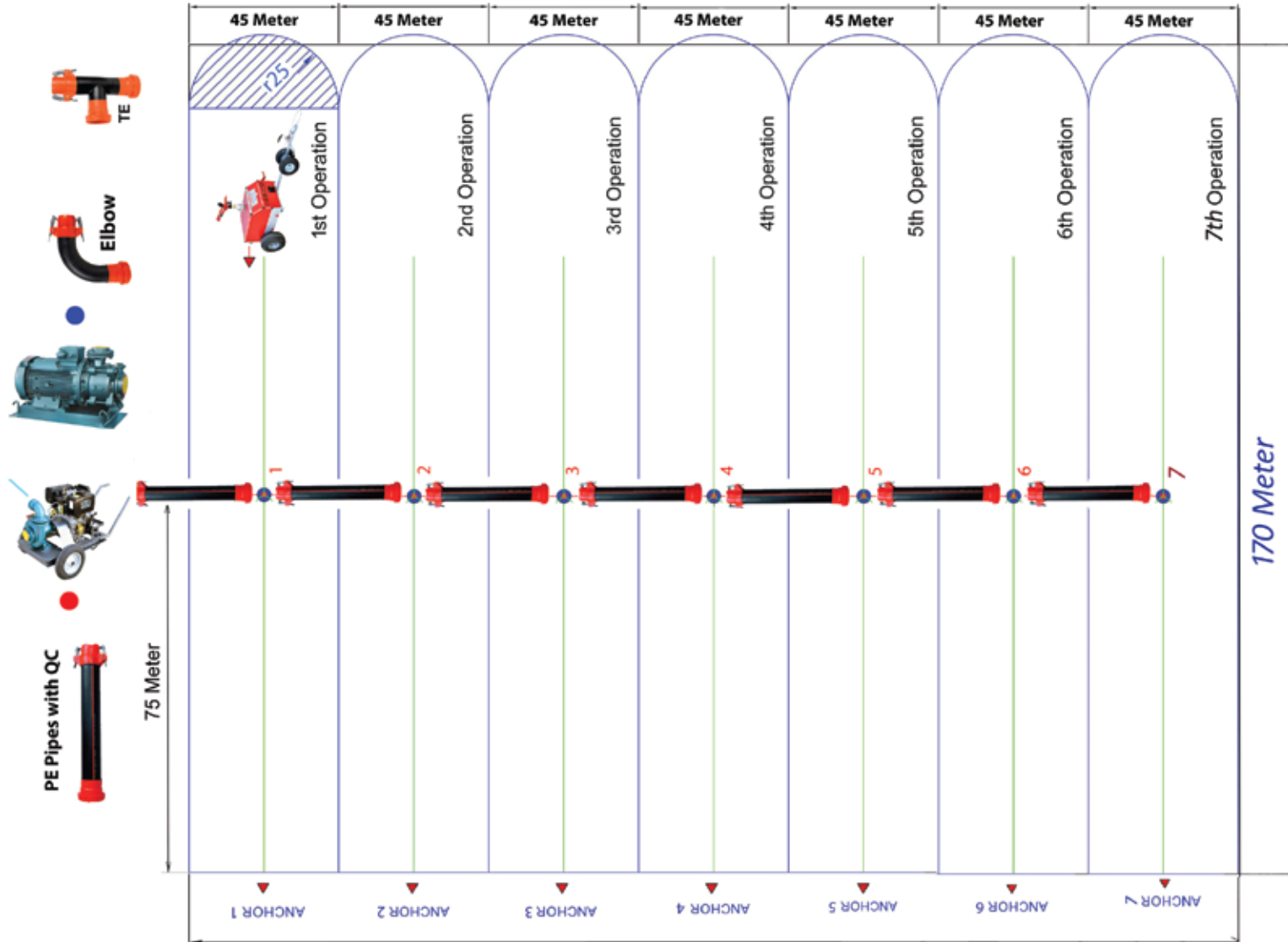
* NOT : The Table above was prepared with mathematical formulas and datas under average working conditions. It is targeted to give general information to the user. Real datas can be changed during using conditions. Yüzüak Makine does not accept any responsibility according to usage of this Table.

IRRIFORCE IRRIGATION SYSTEM FOR 5.3HE

170 Meter X 315 Meter

Irriforce Mini TD1750-150 With 11 HP Gasoline Motorpump Irriforce Kit 1A
 Irriforce Mini TD1750-150 With 7,5 HP Electrical Motorpump Irriforce Kit 1B

WATER SOURCE (RIVER-POOL-WATER CANNAL)



315 Meter

**Irriforce Mini TD1750-150 With 11 Hp Gasoline Motorpump
 Irriforce Kit Option 1A For 5.3 HE (170 meter x 315 meter)**

DESCRIPTION OF THE GOODS	QTY. PIECE
Irriforce Mini TD1750-150	1
11 HP Gasoline Motopump - (6 bar - 24m3/hour)	1
75mm 5 Mt Length HDPE Pipe - PN5	70
1 Set include 70 pcs Pipe, Total 350 meter Pipeline	
Suction Pipe 3" PVC - 76mm 6mt Roll	1
Suction Valve - 3"-76mm with 4 pcs Clamp	1
Suction Quick Coupling Set 3"- Pump side 90mm Male	1
2,5" - 75mm Plastic Line Valve -PN5 (For Hydrants)	8
Gasket 75mm	100
75 X 75 TE (For Irriforce Hydrant)	8
75x51 Reduction For Irriforce Hydrant Connection	2
Pump Outlet(2,5") For Gasoline Motopump 75mm	1
Elbow 75mm - 2,5"	4
End Plug 75mm - 2,5"	3
2,5" - 75mm Abot + 1" Air Release Valve	1
20 DC Container Capacity	6

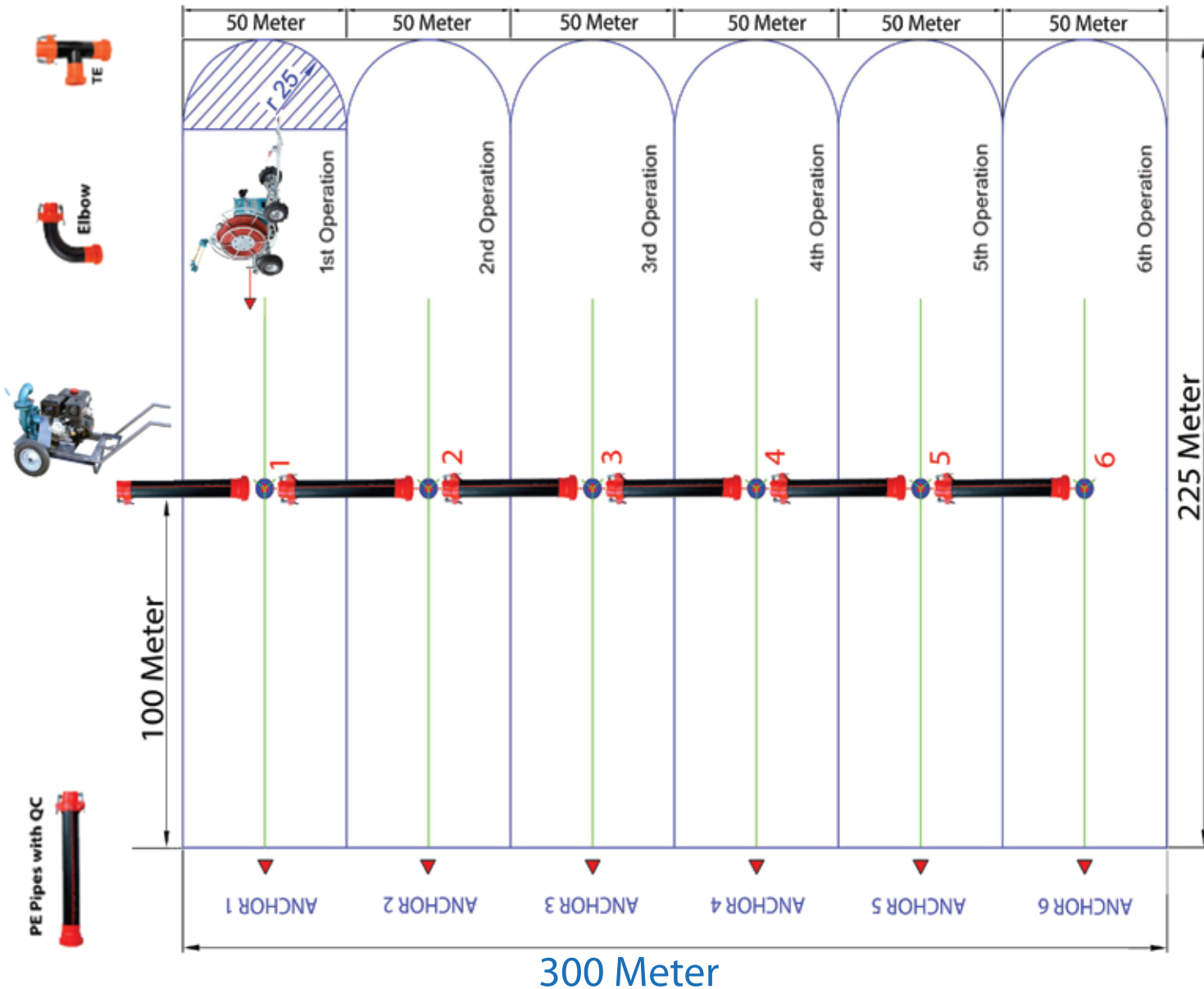
**Irriforce Mini TD1750-150 With 7.5 Hp Electro Motorpump
 Irriforce Kit Option 1B For 5.3 HE (170 meter x 315 meter)**

DESCRIPTION OF THE GOODS	QTY. PIECE
Irriforce Mini TD1750-150	1
7,5 HP Electro Motopump (380V - 50HZ , 6 bar 20m3/hour)	1
75mm 5 Mt Length HDPE Pipe - PN5	70
1 Set include 70 pcs Pipe, Total 350 meter Pipeline	
Suction Pipe 3" PVC - 76mm 6mt Roll	1
Suction Valve - 3"-76mm with 4 pcs Clamp	1
Suction Quick Coupling Set 3"- Pump side 90mm Male	1
2,5" - 75mm Plastic Line Valve -PN5 (For Hydrants)	8
Gasket 75mm	100
75 X 75 TE (For Irriforce Hydrant)	8
75x51 Reduction For Irriforce Hydrant Connection	2
Pump Outlet(2,5") for Motopump 75mm Aluminium	1
Elbow 75mm - 2,5"	4
End Plug 75mm - 2,5"	3
2,5" - 75mm Abot + 1" Air Release Valve	1
20 DC Container Capacity	6

IRRIFORCE IRRIGATION SYSTEM FOR 6,75 HE (225 Meter x 300 Meter)

Irriforce Mico TD2200-200 With 12 HP Diesel Motopump
Irriforce Kit Option : 2D

WATER SOURCE (RIVER-POOL-WATER CANNAL)



Irriforce Mico TD2200-200 With 12 Hp Diesel Motorpump Irriforce Kit Option 2D For 6,75 HE (225 meter x 300 meter)	
DESCRIPTION OF THE GOODS	QTY. PIECE
Irriforce Mico TD2200-200	1
12 HP Diesel Motopump - (6 bar - 30m3/hour)	1
75mm-(2,5") 5 Mt Lenght HDPE Pipe - PN5 (1 Set include 70 pcs Pipe, Total 350 meter Pipeline)	70
Suction Pipe 3" PVC - 76mm 6mt Roll	1
Suction Valve - 3"- 76mm with 4 pcs Clamp	1
Suction Quick Coupling Set 3" Pump Side 90mm Male	1
2, 5" - 75 mm Plastic Line Valve - PN5 (For Hydrants)	7
Q75mm Gasket	90
75mm / 75mm TE (For Irriforce Hydrant)	7
75X63 Aluminium Reduction For Irriforce Hydrant	1
75mm Female Pump Outlet QC - 2,5" Male Screw BSP	1
2,5" - 75mm Elbow	5
2,5" - 75mm Male End CAP	3
2,5" - 75mm Abot + 1" Air Release Valve	1
20 DC Container Capacity	3

Irriforce Irrigation System For 15HE

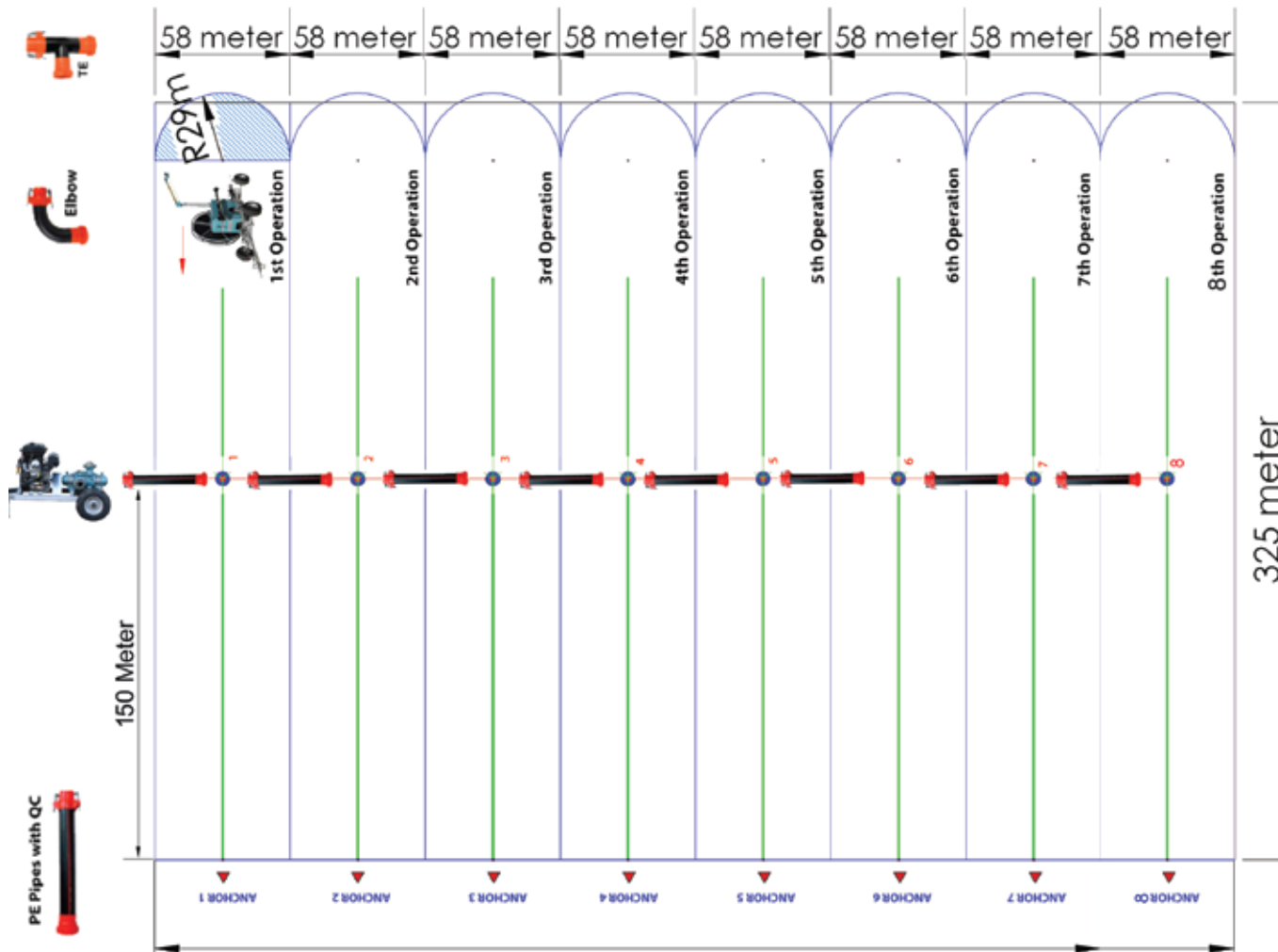
(325Meter X 464Meter)

Irriforce Mico X TD2500-300 Irrigation Kit

Irriforce Kit Option 3B : With 19 HP Diesel Motorpump

Irriforce Kit Option 3C : With 15 HP Electrical Motorpump (380v - 50hz)

WATER SOURCE (RIVER-POOL-WATER CANNAL)



464 Meter

Irriforce Mico X TD2500-300 With 19 HP Diesel or 15 HP Electrical Motorpump Irriforce Kit Option 3B / 3C For 15 HE (325 meter x 464 meter)	
DESCRIPTION OF THE GOODS	QTY. PIECE
Irriforce Mico X TD2500-300	1
19 HP Diesel Motopump 2 Stage / 15 HP Electrical Motopump	1
Pump Capacity = 7 Bar 33m³/hour	
3" - Q90mm - QC Pipe System 5.8 MT HDPE Pipe - PNS (1 set Include 90pcs Pipe, Total 522 meter Pipeline)	90
Suction Pipe 4" PVC - 101mm 8mt Roll	1
Suction Valve - 4" - 101mm with 4 pcs Clamp	1
2,5" - 75 mm Plastic Line Valve - PNS (For Hydrants)	9
Q90mm Gasket	110
Q75mm Gasket	30
90mm / 90mm TE	2
90mm / 75mm TE (For Irriforce Hydrant)	8
90mm Female Pump Outlet QC - 4" Male Screw BSP	1
3" - Q90mm ES Part for Pump Outlet	1
3" - 90mm Elbow	5
2,5" - 75mm Male End Cap	4
3" - 90mm Male End Cap	3
3" - 90mm Abot 1" Outlet + 1" Air Release Valve	2
20 DC Container Capacity	2

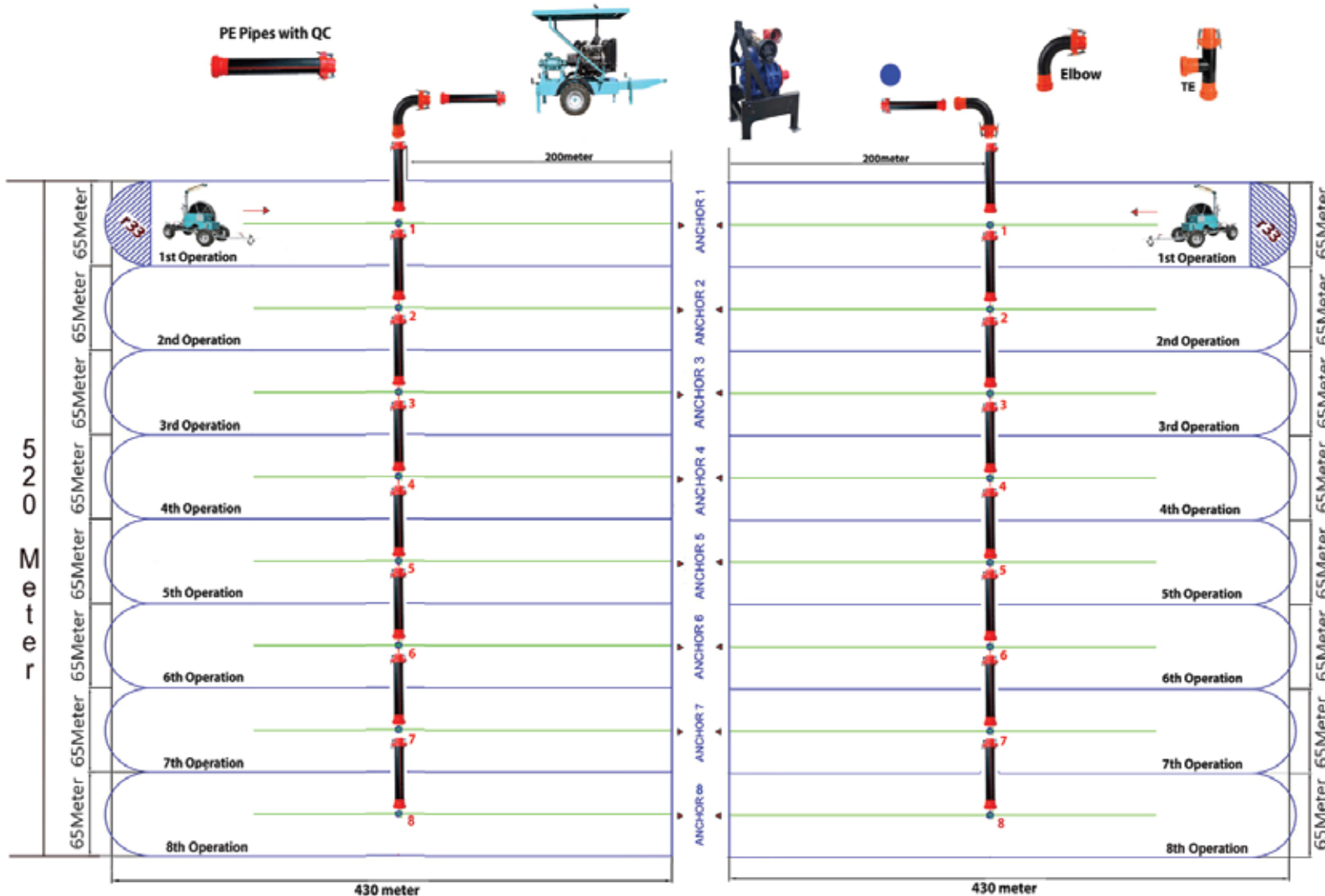
IRRIFORCE IRRIGATION SYSTEM FOR 44HE

860 Meter x 520 Meter

Irriforce ECO TD3000-400x2 With Diesel Waterpump Kit 4D2

Irriforce ECO TD3000-400x2 With Tractor Operated Waterpump Kit 4C2

WATER SOURCE (RIVER-POOL-WATER CANNAL)



**Irriforce Eco TD3000-400 X 2 With 45 HP Diesel Motorpump
Irriforce Kit Option 4D2 For 44 HE (860 meter x 520 meter)**

DESCRIPTION OF THE GOODS	QTY. PIECE
Irriforce Eco TD3000-400	2
45 HP Diesel Motorpump - (Maximum 7,5 Bar - 80m ³ /hour)	1
4" - Q110mm - QC Pipe System 5.8 Mt HDPE Pipe - PNG (1 set Line need 130pcs Pipe, Totally 1500 meter Pipeline)	260
Suction Pipe 4" PVC - 101mm 8mt Roll	1
Suction Valve - 4" - 101mm with 4 pcs Clamp	1
For 110mm QC pipe x 90mm - 3" male Outlet	18
3" - Female Metal Hydrant For Irriforce Connection	3
Q110mm Gasket	300
Q90mm Gasket	25
Q75mm Gasket	25
110mm Female Pump Outlet QC - 4" Male Screw BSP	1
4" - Q110mm ES Part for Pump Outlet	1
110mm X 110mm Special Galvanized TE for Twice line	1
4" - 110mm Elbow	6
4" - 110mm Male End Cap	4
4" - 110mm Abot For Air Release Valve	2
Air Release Valve 2" Female	2
40HQ Container Capacity	1

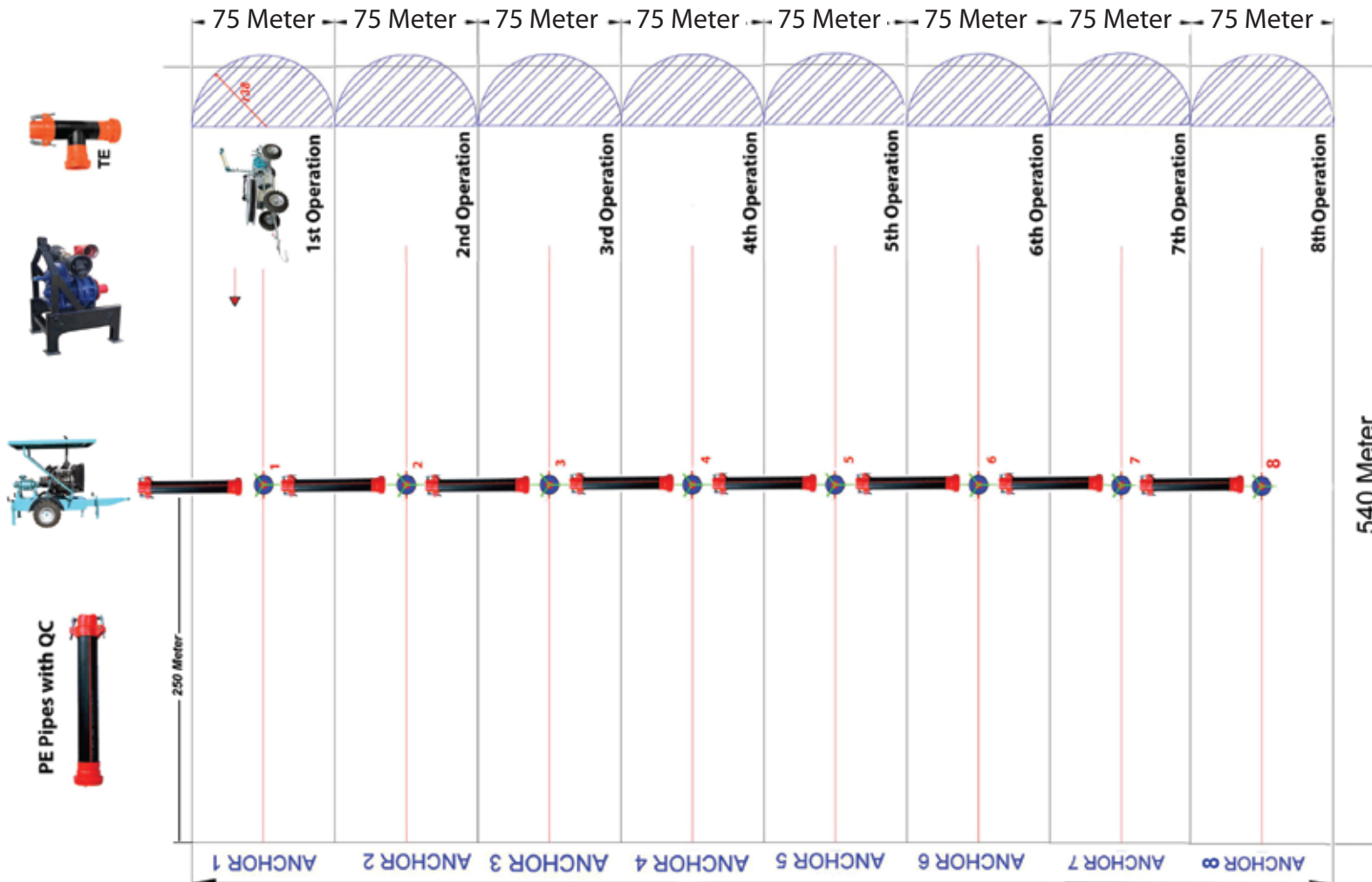
**Irriforce Eco TD3000-400 X 2 With Tractor Operated Water pump
Irriforce Kit Option 4C2 For 44 HE (860 meter x 520 meter)**

DESCRIPTION OF THE GOODS	QTY. PIECE
Irriforce Eco TD3000-400	2
DCR80/2 Tractor PTO Pump - (Maximum 8 Bar - 110m ³ /hour)	1
4" - Q110mm - QC Pipe System 5.8 Mt HDPE Pipe - PNG (1 set Line need 130pcs Pipe, Totally 1500 meter Pipeline)	260
Suction Pipe 4" PVC - 101mm 8mt Roll	1
Suction Valve - 4" - 101mm with 4 pcs Clamp	1
For 110mm QC pipe x 90mm - 3" male Outlet	18
3" - Female Metal Hydrant For Irriforce Connection	3
Q110mm Gasket	300
Q90mm Gasket	25
Q75mm Gasket	25
110mm Female Pump Outlet QC - 4" Male Screw BSP	1
4" - Q110mm ES Part for Pump Outlet	1
110mm X 110mm Special Galvanized TE for Twice line	1
4" - 110mm Elbow	6
4" - 110mm Male End Cap	4
4" - 110mm Abot For Air Release Valve	2
Air Release Valve 2" Female	2
40HQ Container Capacity	1

IRRIFORCE IRRIGATION SYSTEM FOR 32HE 540 Meter X 600 Meter

Irriforce Ultra TD3500-500 With Diesel Waterpump Kit 5A
Irriforce Ultra TD3500-500 With Tractor Operated Waterpump Kit 5C

WATER SOURCE (RIVER-POOL-WATER CANNAL)



**Irriforce Ultra TD3500-500 With 45 Hp Diesel Motorpump
Irriforce Kit Option 5A For 32 HE (540 meter x 600 meter)**

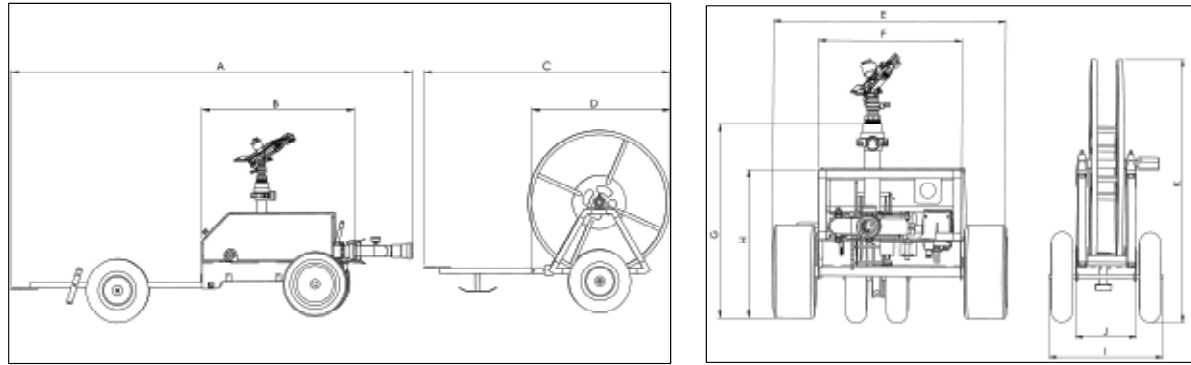
DESCRIPTION OF THE GOODS	QTY. PIECE
Irriforce Ultra TD3500-500	1
45 HP Diesel Motorpump - (8,5 Bar - 70m ³ /hour) (3 Stage - Suction 4" - Outlet 3")	1
5" - Q125mm - QC Pipe System 5.8 Mt HDPE Pipe - PN8 (1 set include 125pcs Pipe, Total 725 meter Pipeline)	125
Suction Pipe 4" PVC - 101mm 8mt Roll	1
Suction Valve - 4" - 101mm with 4 pcs Clamp	1
For 125mm QC pipe x 90mm - 3" male Outlet	9
3" - 90mm Female Metal Hydrant	2
Q125mm Gasket	180
Q90mm Gasket	30
125mm Female Pump Outlet QC - 5" Male Screw BSP	1
5" - Q125mm ES Part for Pump Outlet	1
5" - 125mm Elbow	4
5" - 125mm Male End Cap	4
125mm / 110mm TE	1
4" - 110mm Abot 1" Outlet	1
Air Release Valve 2" Female	1
20DC Container Capacity	1

**Irriforce Ultra TD3500-500 With DCR 80/2 Tractor Operated Pump
Irriforce Kit Option 5C For 32 HE (540 meter x 600 meter)**

DESCRIPTION OF THE GOODS	QTY. PIECE
Irriforce Ultra TD3500-500	1
DCR80/2 Tractor PTO Pump - (Maximum 8 Bar - 110m ³ /hour) (2 Stage - Suction 4" - Outlet 3")	1
5" - Q125mm - QC Pipe System 5.8 Mt HDPE Pipe - PN8 (1 set include 120pcs Pipe, Total 725 meter Pipeline)	125
Suction Pipe 4" PVC - 101mm 8mt Roll	1
Suction Valve - 4" - 101mm with 4 pcs Clamp	1
For 125mm QC pipe x 90mm - 3" male Outlet	9
3" - 90mm Female Metal Hydrant	2
Q125mm Gasket	180
Q90mm Gasket	30
125mm Female Pump Outlet QC - 5" Male Screw BSP	1
5" - Q125mm ES Part for Pump Outlet	1
5" - 125mm Elbow	4
5" - 125mm Male End Cap	4
125mm / 110mm TE	1
4" - 110mm Abot 1" Outlet	1
Air Release Valve 2" Female	1
20DC Container Capacity	1

600 Meter

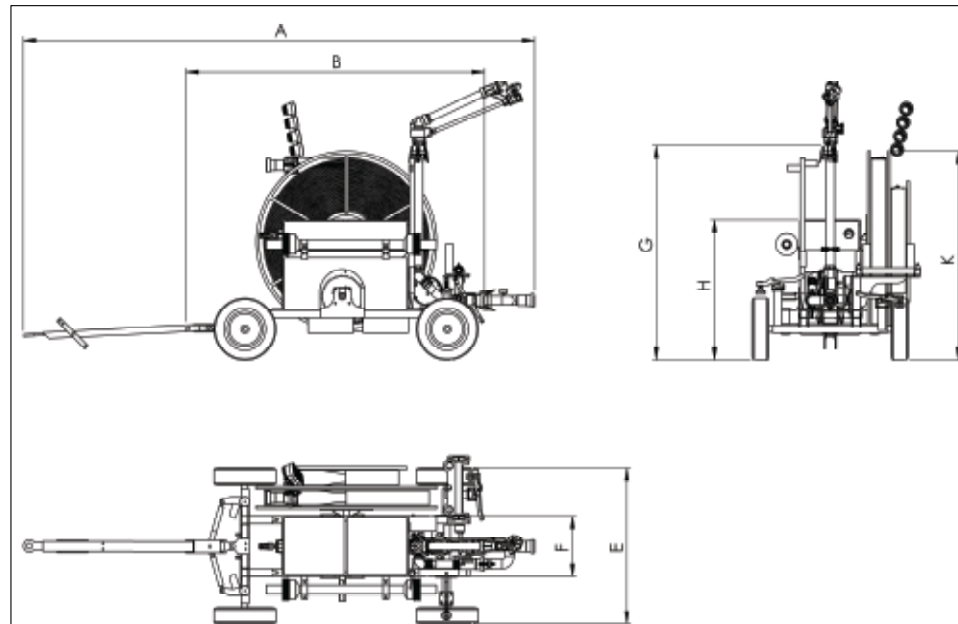
MINIX , MINI , MIDI



TRAVELER TYPE	A (cm)	B (cm)	C (cm)	D (cm)	E (cm)	F (cm)	G (cm)	H (cm)	I (cm)	J (cm)	K (cm)	WEIGHT (Kg)
MINIX	90	80	130	70	60	41	55	42	72	55	80	85
MINI	227	90	130	70	85	55	75	60	72	55	80	170
MIDI	290	142	145	80	98	72	105	70	86	53	105	190
MICO	345	200	-	-	112	41	137	93	-	-	140	420-480
MICO X	370	245	-	-	150	41	162	100	-	-	150	540-600
ECO	395	260	-	-	120	42	175	103	-	-	156	680-780
ULTRA	480	325	-	-	142	52	185	110	-	-	152	900-1000

MICO, MICO X, ECO, ULTRA

17/05/2022

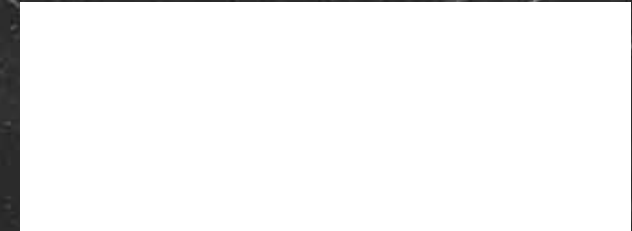








yüzuak[®]
Sprinklers & Travellers



Yuzuak Makina Ith. San. Tic. A.Ş. KIRKLARELI / TURKEY
Tel: +90 288 214 17 43 / Fax: +90 288 212 71 21
sales@yuzuak.com
www.yuzuak.com



ISO 9001:2008

Turkey
Discover
the potential

CAGDAS
0212 637 03 14-15
www.cagdasmakina.com.tr